

# KSB16 // FLORENTINE SR.

## DECORATIVE SPLIT BASE



The Florentine Sr. offers elegance and style with an historic feel. The cast aluminum clam shell base offers easy installation and is available with either a round or fluted aluminum or steel shaft.

### SPECIFICATIONS

**MATERIAL:**

Cast Aluminum

**WEIGHT:**

59 lbs

**BASE HEIGHT:**

24.75"

**BASE WIDTH:**

23.8125"

**HANDHOLE HEIGHT:**

14"

**MAX. OPENING:**

8.25"

**MAX. BUTT SIZE:**

8" (Non-tapered)  
8.4" (0.14"/ft Tapered)

**MAX. BASEPLATE:**

15.5" (Square)  
20.5" Ø (Circle)

**MAX. ANCHOR BOLT PROJECTION:**

4.5"

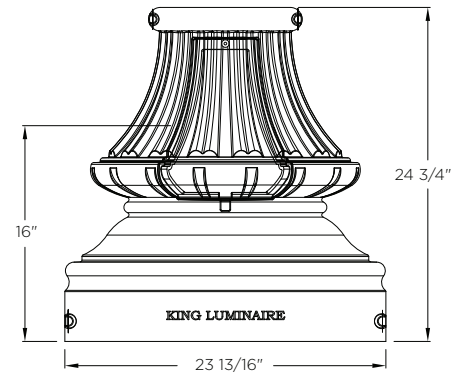
### COMPATIBLE POLES

Pole Style	Pole Butt Size
RE	6.63 *
RF	5.57
	6.5 *
	7 *
	8 *
FE	6.5*
FF	5.57
	6.5 *
	7 *
	8 *

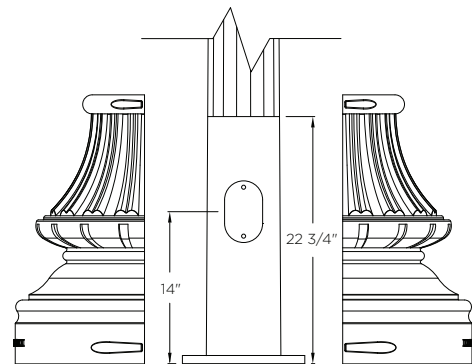
\* Recommended size

Note: Recommended sizes reflect those with the best overall looking fit of pole and base combination.

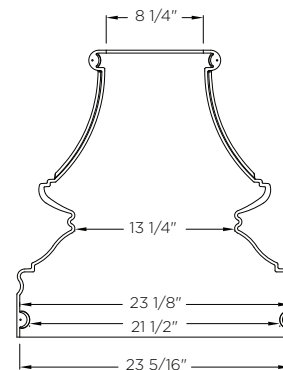
### BASE DIMENSIONS



Split Base Detail



Split Base Detail with Shaft



Cross Section Detail