

KSB70 // CANTERBURY SR.

DECORATIVE SPLIT BASE



Modelled after our popular Canterbury spun concrete pole design, The Canterbury Sr. offers simple design with elegance. The cast aluminum clam shell base offers easy installation and is available with either a round or fluted designs.

SPECIFICATIONS

MATERIAL:

Cast Aluminum

WEIGHT:

92 lbs

BASE HEIGHT:

54 5/8"

BASE WIDTH:

24.75"

HANDHOLE HEIGHT:

14" Minimum

MAX. OPENING:

8 7/8"

MAX. BUTT SIZE:

8" (Non-tapered)
8" (0.14"/ft Tapered)

MAX. BASEPLATE:

15.5" (Square)
20.5" Ø (Circle)

MAX. ANCHOR BOLT PROJECTION:

4.5"

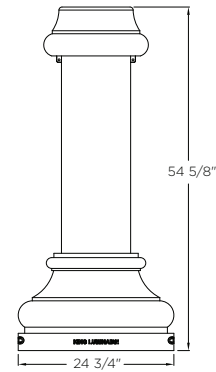
COMPATIBLE POLES

| Pole Style | Pole Butt Size |
|------------|----------------|
| RE | 6.63 |
| RF | 5.75 |
| | 6.5 |
| | 7* |
| | 8* |
| FE | 6.5 |
| FF | 5.75 |
| | 6.5 |
| | 7* |
| | 8* |

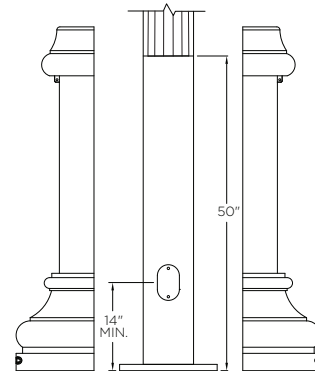
* Recommended size

Note: Recommended sizes reflect those with the best overall looking fit of pole and base combination.

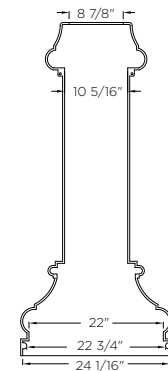
BASE DIMENSIONS



Split Base Detail



Split Base Detail with Shaft



Cross Section Detail