

STANDARD ACCESSORY DETAILS

Spun Concrete Poles



Our standard accessories are detailed below. Availability of non standard sizes and positioning on poles may be governed by design limitations or physical constraints.

Handhole Frames, Cover Plate and Fasteners

All handholes listed below are box type composed of non-metallic, non-conductive injection molded material or a 50,000 PSI high-density cast zinc ASTM ingot Spec # B669-82 and will be supplied with a close fitting inset cover of the same material. All fasteners will be stainless steel. On street lighting poles the handhole will be located 18" above grade and 3'6" on sports lighting poles. This dimension can be easily adjusted to specific needs within the design and physical limitation of the poles in question.

Handhole Size (I.D.)	Available Pole Sizes/Shapes
2-1/2" x 8"	Standard on all street lighting poles
3-1/2" x 10-1/2"	Standard on all sports lighting poles.

Fasteners

In the U.S.A. our standard fastener is a 1/4" - 20 x 3/4" Allen (Hex) pan head bolt - 3/4" long.



ALLEN HEAD
STAINLESS STEEL
1/4"-20 x 3/4" LONG
C/W 5/32" ALLEN PAN HEAD

In Canada our standard fastener is 1/4" - 20 x 3/4" #3 Black Robertson square pan head bolt - 3/4" long.



#3 BLACK ROBERTSON
STAINLESS STEEL
1/4"-20 x 3/4" LONG
C/W SQUARE PAN HEAD

Tamperproof fasteners are available upon request. Our standard is a 1/4" - 20 x 3/4" Allen (Hex) pan head with a raised pin in the center as manufactured by the Tamperproof Screw Company.



TAMPERPROOF
STAINLESS STEEL
1/4"-20 x 3/4" LONG
C/W RAISED PIN IN
ALLEN (HEX) PAN HEAD

Wiring Apertures Pole Top

Location will vary with applications selected:

- Street lighting:* Depending on the arm style selected, the top wiring access will either be through the top of the pole or through an opening in the side of the pole.
- Sports lighting:* For poles under 50' above grade a 1-1/2" coupling will be supplied for top wiring access; a 1-1/2" x 3" aperture may be specified as an alternative. Poles 50' above grade and over will be supplied with a 2" coupling, J hook wire hanger and 2-1/2" x 8" handhole at 180° to the coupling, at each platform/crossarm level.



STANDARD ACCESSORY DETAILS

Spun Concrete Poles



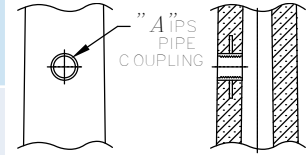
Below Grade

Location of aperture is standard 18" below grade to center line of aperture unless otherwise specified.

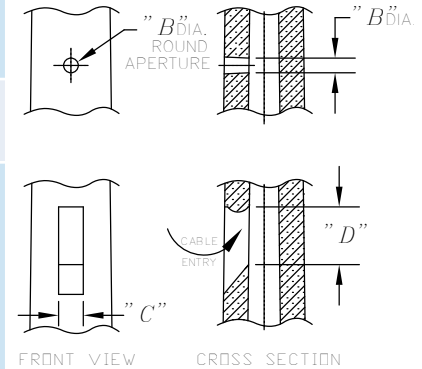
Streetlight Standard: A twin 2-1/2" x 5" apertures at 0° and 180° to handhole.

Sportslight Standard: A single 3" x 12" is standard on all poles less than 50' above grade and 4" x 10" on all poles 50' above grade and over. It will be located in line with handhole, unless otherwise specified.

Standard Couplings	A
Standard Sizes	1-1/2" I.P.S. 2" I.P.S.



Wiring Apertures	B
Round Apertures	1-1/4" DIA. 1-1/2" DIA.
Shaped Apertures	C x D 1-1/2" x 3" 2" x 3" 2-1/2" x 5" 3" x 12" 4" x 10"



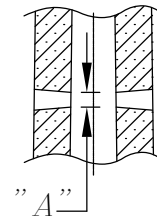
Inserts

All inserts are zinc die cast or hot dip galvanized and available in 1/4", 3/8", 1/2", 5/8" and 3/4".

Through Holes

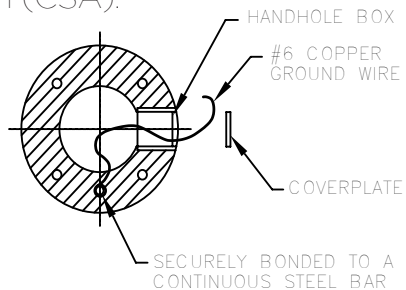
Standard hole sizes are 1/2", 3/4" and 1" nominal size.

Nominal Hole DIA.	A
Standard Sizes	1/2" 3/4" 1"

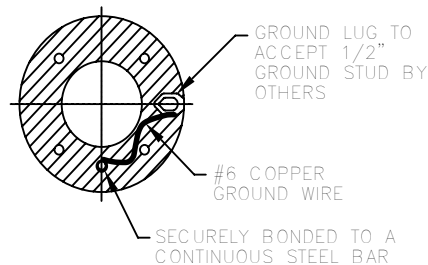


Electrical Grounding of Pole

Where electrical conductivity is concerned, a concrete pole is in essence a steel pole, thus we strongly recommend that it be grounded. The last letter "G" in the pole catalog number indicates that the pole will be supplied with a provision for electrical grounding. Standard Ground in Handhole and External Ground are two methods approved by the Canadian Standard Association (CSA).



STANDARD GROUND IN HANDHOLE



EXTERNAL GROUND

