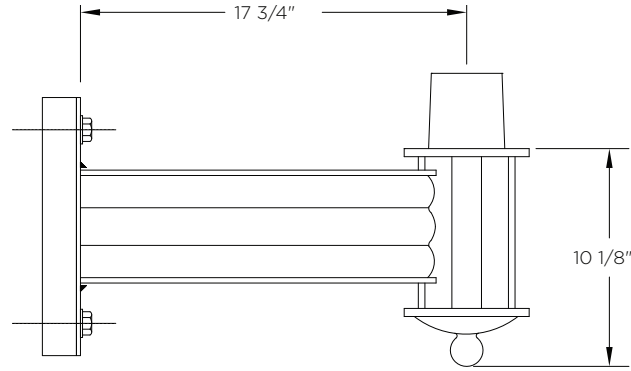


KA16 // THE FLORENTINE

DECORATIVE ARM



The King Luminaire KA16 Arm with simple modern details. Available in side mount, single or double arm configurations. The KA16 is an ideal solution for many streetlighting needs.

ARM SPECIFICATIONS

MATERIAL:
Aluminum

MOUNTING TYPE:
Side
Tenon
Wall

ARM QUANTITY:
Single
Double

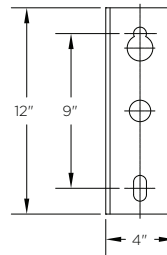
ARM LENGTHS:
Fixed Length

FINISH:
Available in textured or smooth.

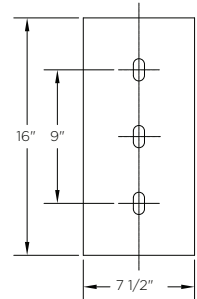
EPA
1.32 - 5.20 sq. ft.

WEIGHT
23 - 63 lbs

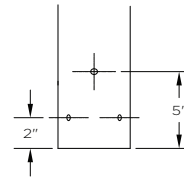
MOUNTING TYPES:



Side Mount Details
4" x 1 3/4" x 12"L

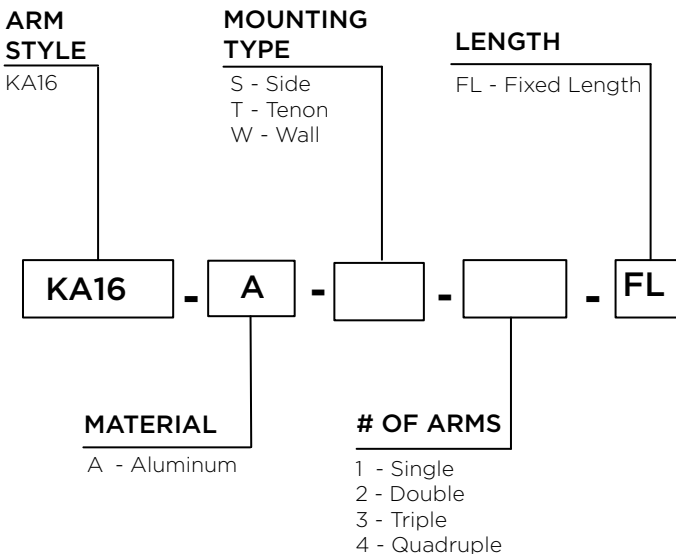


Wall Mount Details
4" x 1" x 12"L



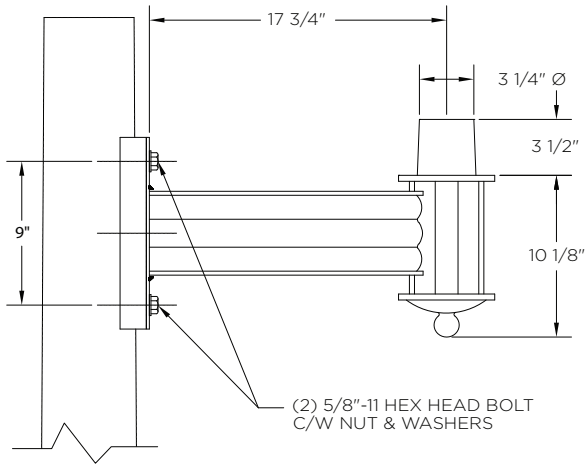
Tenon Mount Details
To Accept A 2 1/2" IPS (2 7/8" O.D.) x 6" LG Heavy Duty Steel Tenon

HOW TO ORDER

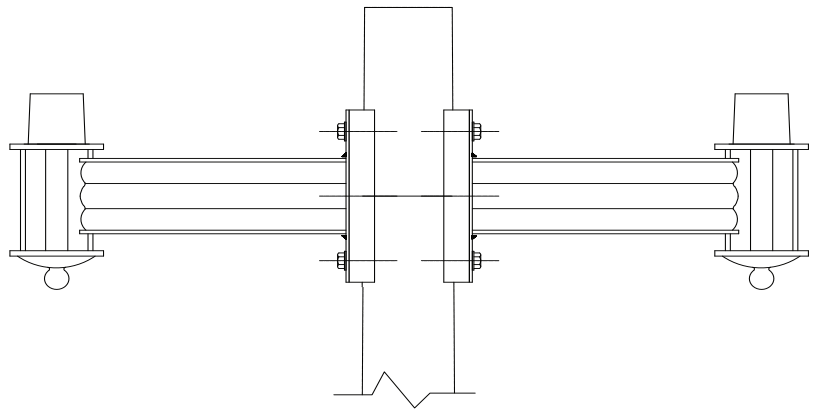


EPA & WEIGHT

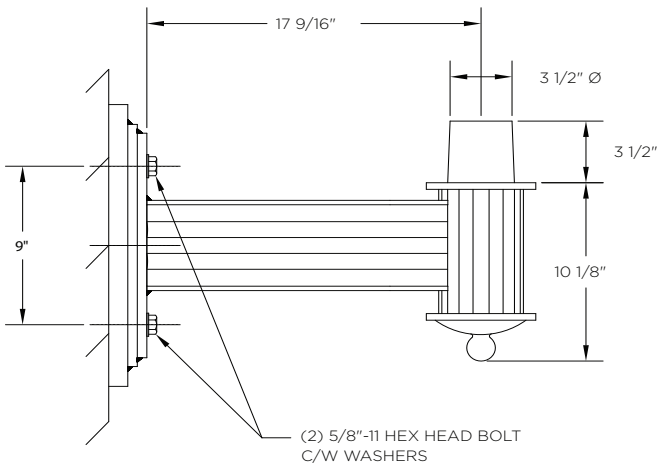
Catalog Number	Mount Type	# of Arms	L. (In)	EPA (sq ft)	Wt. (lbs)
KA16-A-S-1-FL	Side	1	17 3/4	1.32	23
KA16-A-S-2-FL	Side	2	17 3/4	2.64	46
KA16-A-T-1-FL	Tenon	1	17 3/4	1.58	25
KA16-A-T-2-FL	Tenon	2	17 3/4	2.73	34
KA16-A-T-3-FL	Tenon	3	17 3/4	3.88	48
KA16-A-T-4-FL	Tenon	4	17 3/4	5.02	62
KA16-A-W-1-FL	Wall	1	17 3/4	1.32	33



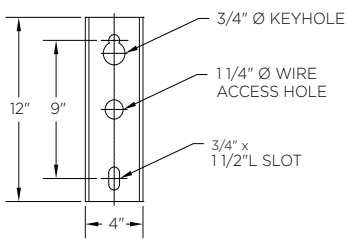
Side Mount Single Arm



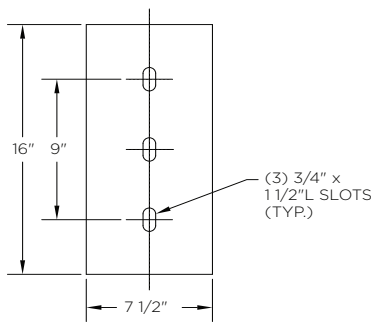
Side Mount Double Arm



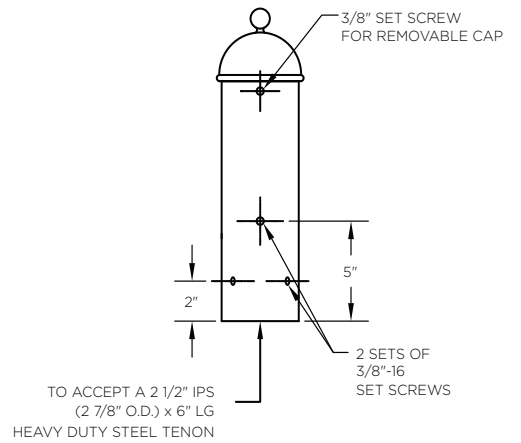
Wall Mount Single Arm



Side Mount Details



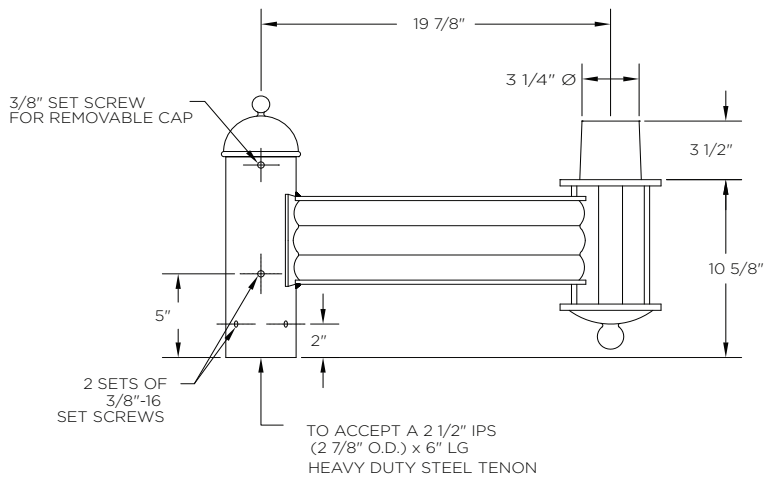
Wall Mount Details



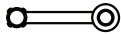
Tenon Mount Details

CONFIGURATION OPTIONS

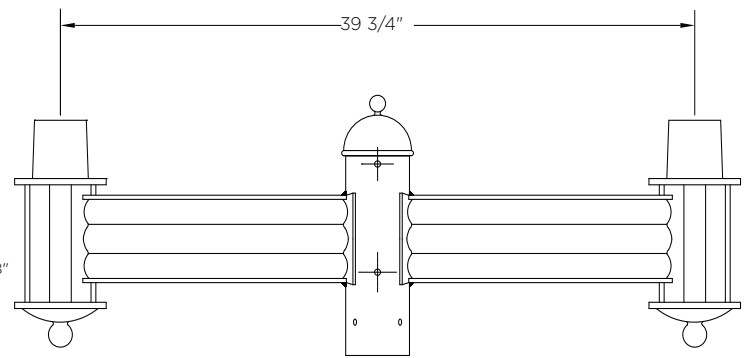
KA16 THE FLORENTINE



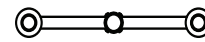
Tenon Mount Single Arm



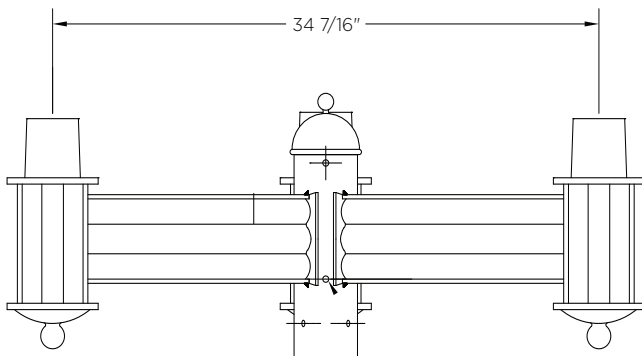
Top View



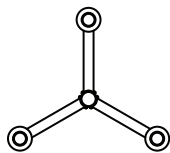
Tenon Mount Double Arm



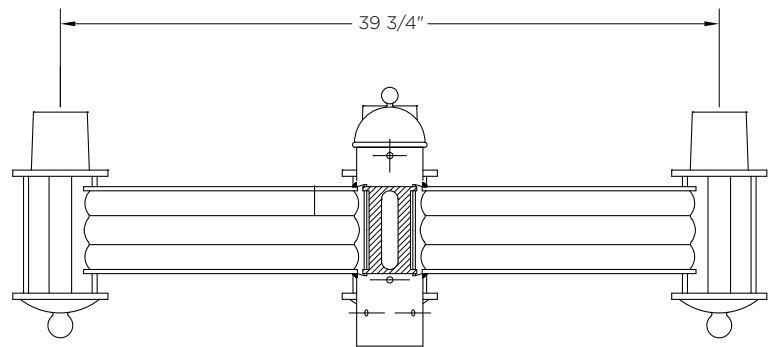
Top View



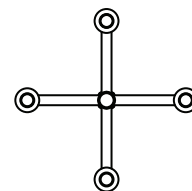
Tenon Mount Triple Arm



Top View



Tenon Mount Quadruple Arm



Top View