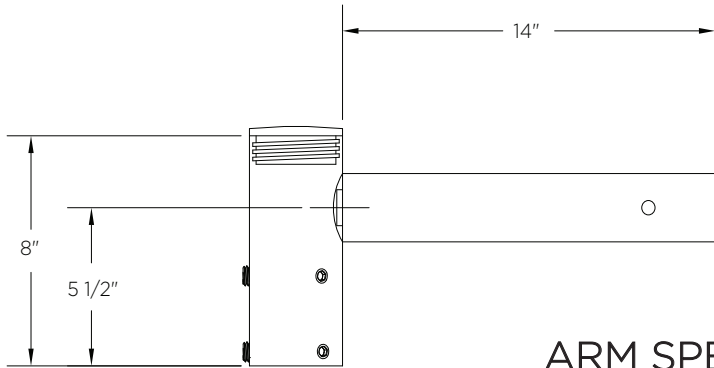


KAB // LIGHT BRACKET

STREET LIGHT BRACKET

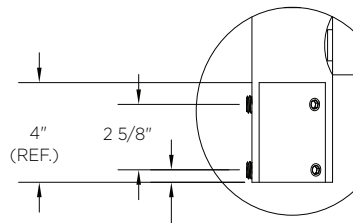


The King Luminaire KAB Light Bracket is a simple bracket mount for streetlights. Available in two lengths and single, double, triple, or quadruple arm configurations, the KAB is an ideal solution for a simple mounting configuration.

ARM SPECIFICATIONS

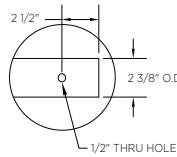
- MATERIAL:**
Aluminum
- MOUNTING TYPE:**
Tenon
- ARM QUANTITY:**
Single
Double
Triple
Quadruple
- ARM LENGTHS:**
14"
18"
- FINISH:**
Available in textured or smooth.
- EPA**
0.48 - 1.16 sq. ft.
- WEIGHT**
4 - 10 lbs

MOUNTING TYPE:



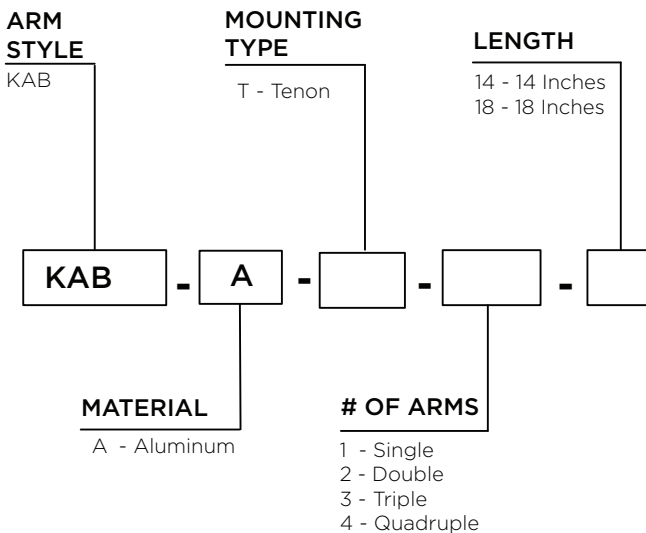
Tenon Mount Details
TO ACCEPT 2 7/8" DIAMETER
X 4"L TENON

LUMINAIRE MOUNTING DETAIL:



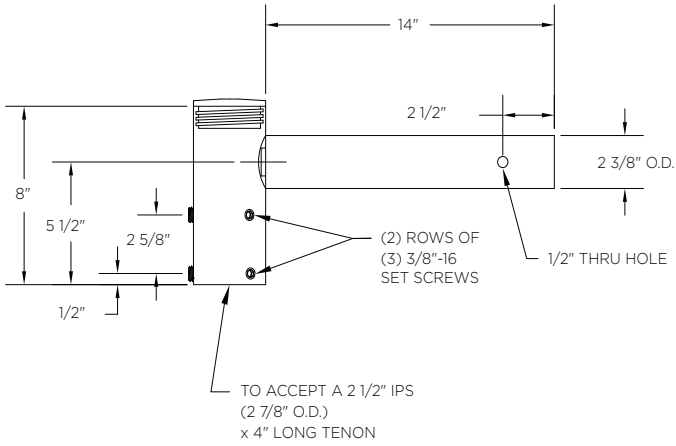
Luminaire Mount Details
2 3/8" OUTER DIAMETER
WITH 1/2" RECESSED THRU HOLE

HOW TO ORDER

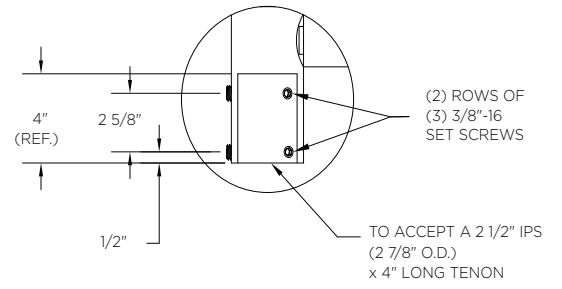


EPA & WEIGHT

Catalog Number	Mount Type	# of Arms	L. (in)	EPA (sq ft)	Wt. (lbs)
KAB-A-T-1-14	Tenon	1	14	0.48	4
KAB-A-T-1-18	Tenon	1	18	0.55	4.5
KAB-A-T-2-14	Tenon	2	14	0.73	5.5
KAB-A-T-2-18	Tenon	2	18	0.88	6.5
KAB-A-T-3-14	Tenon	3	14	0.78	6.5
KAB-A-T-3-18	Tenon	3	18	0.97	8
KAB-A-T-4-14	Tenon	4	14	0.94	8
KAB-A-T-4-18	Tenon	4	18	1.16	10

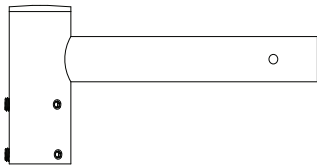


Single Arm

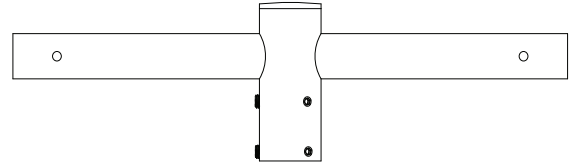


TENON DETAIL

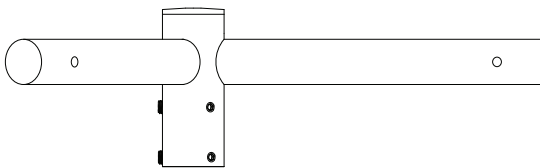
Mounting Details



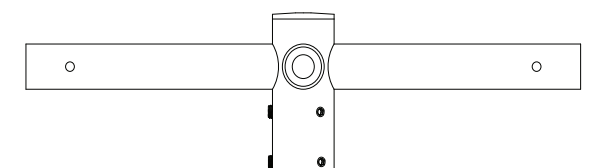
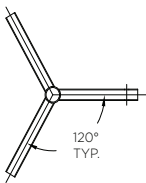
Single



Double



Triple



Quadruple

